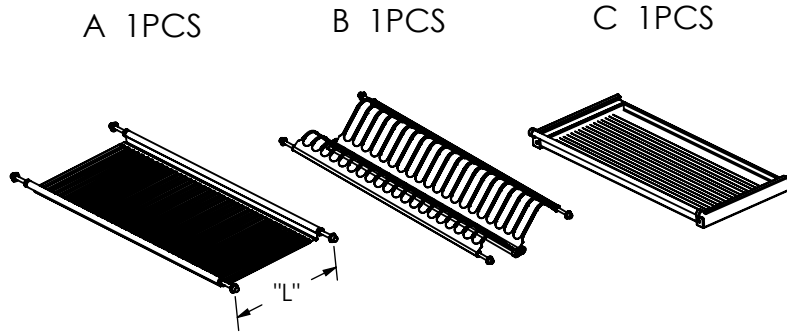


Fixing Instruction for A01 Series-Plate & Dish Holder

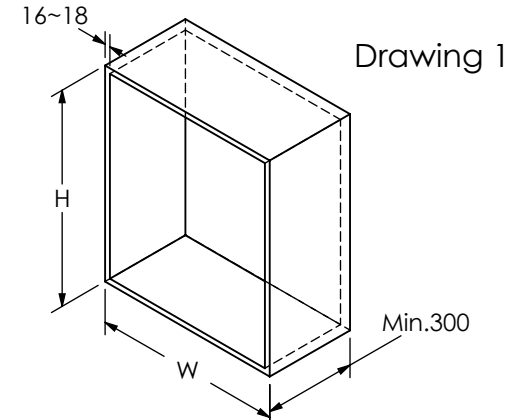
1、Accessories :



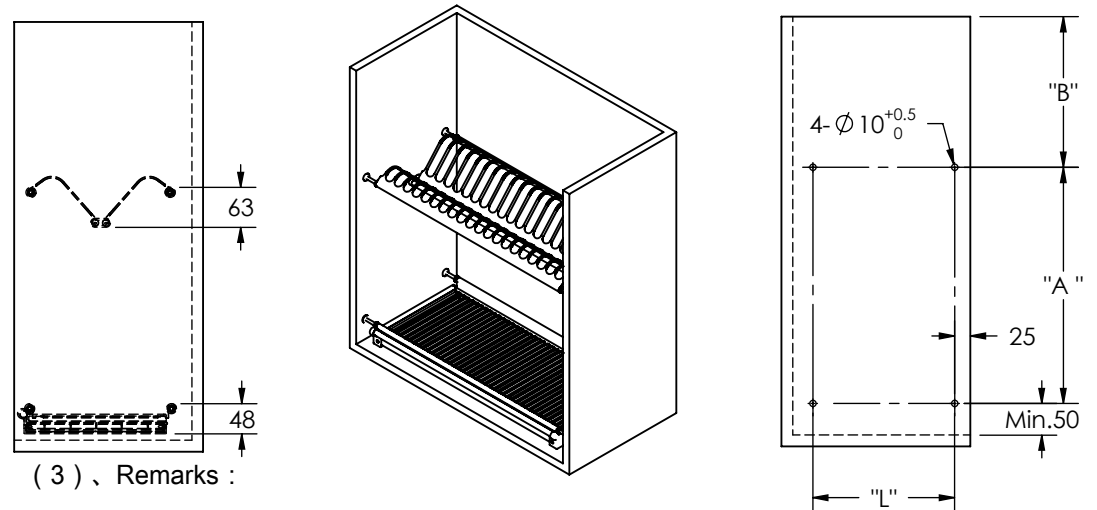
2、Specification & Cabinet Width :

3、Fixing Step :

(1) 、 Choose a suitable cabinet according the specification of particular products(Please refer to drawing 1) :



(2) 、 Drill the side-board of the cabinet then fix accessory "A","B" one by one as the following drawings.



(3) 、 Remarks :

a. Size "A" & Size "B" are based on high of cabinet. The following size are for your reference :

A=275mm , B=300mm (Both Size for reference only)

b. Depth of 4- $\phi 10$ hold is 7~9mm, please be careful that the side-board of cabinet not to be drilled through.