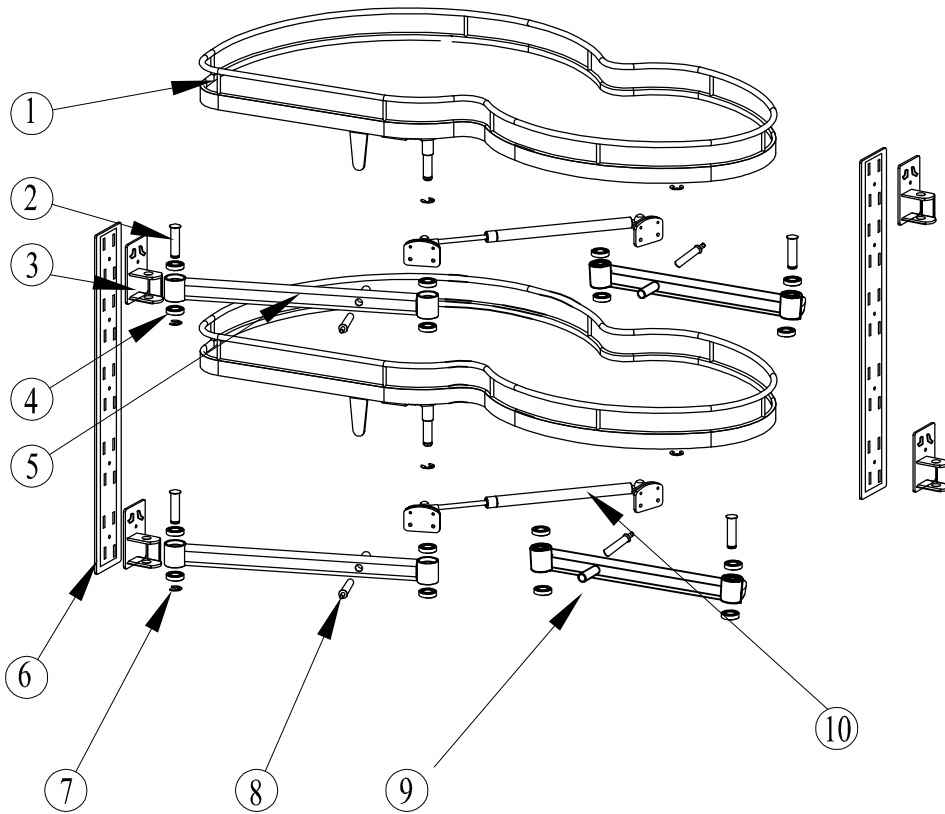


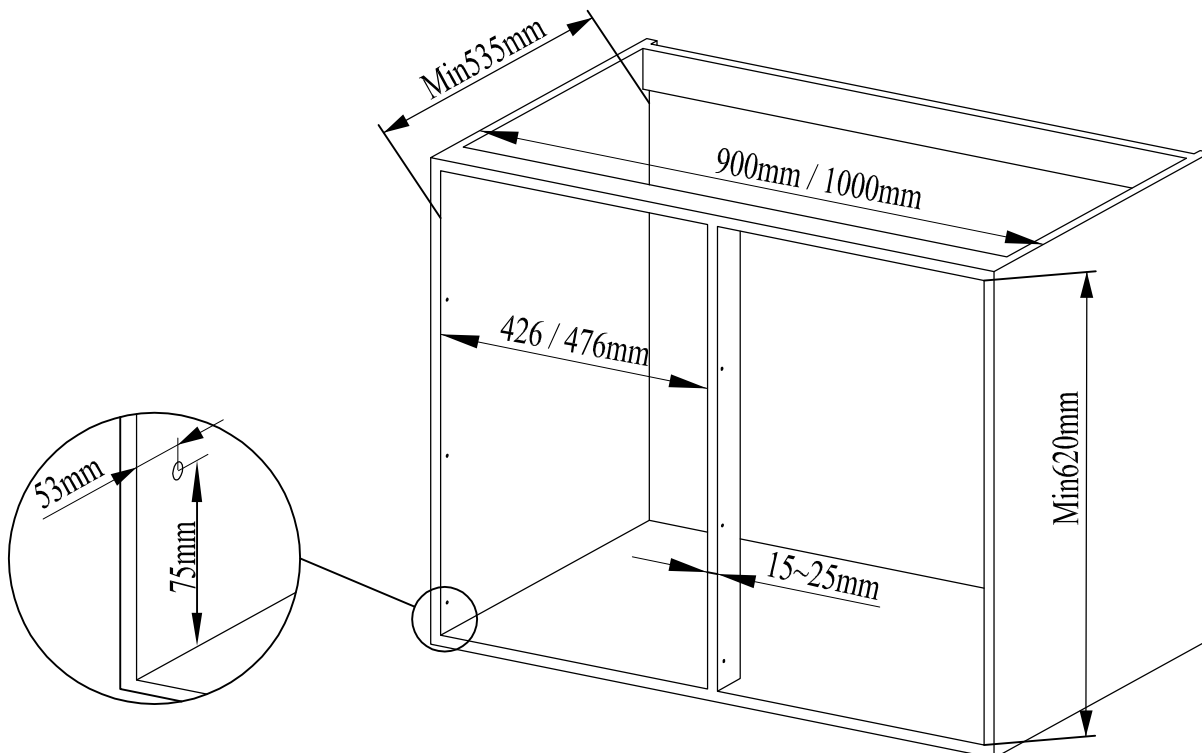
Exploded view



Cabinet	W	D	H
900	835x470x535		
1000	935x470x535		

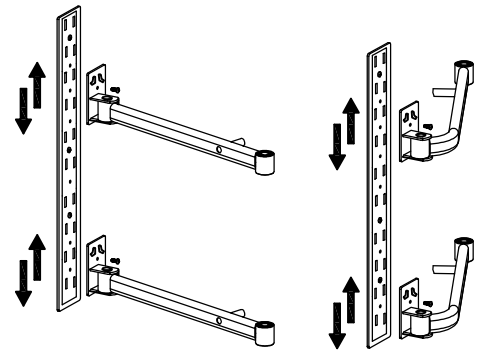
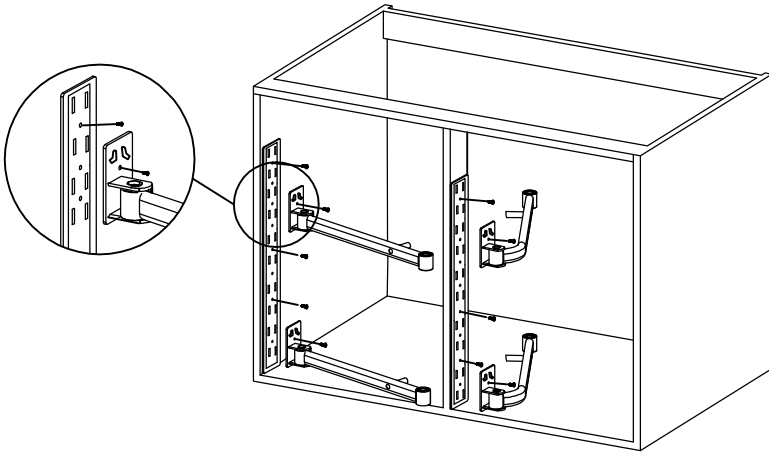
No.	Name
1	Tray
2	Axis
3	Side Bracket
4	Bearing
5	Straight Bar
6	Fixed Plate
7	E Rings
8	Buffer
9	Curve Arm
10	Gas Spring

1. Locate screw and bolting position

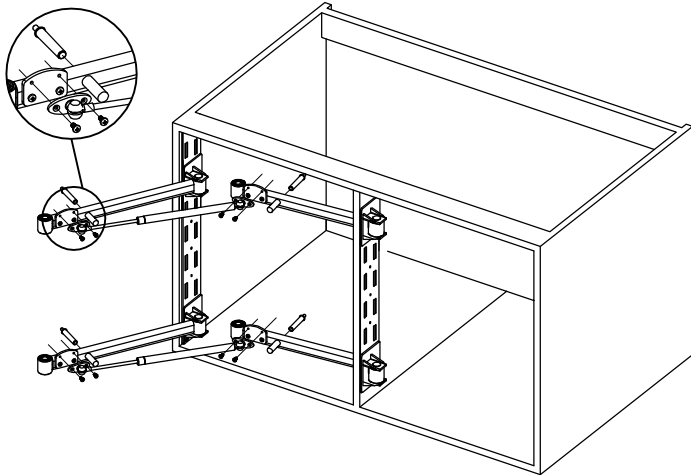


2. Mounting of arms and pole

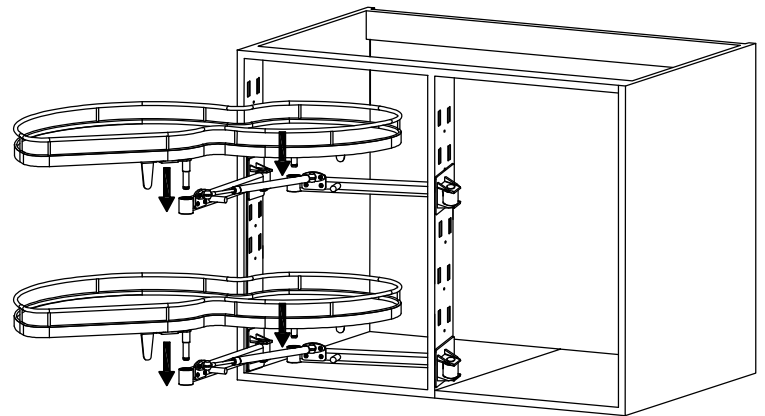
Adjust the position of the curve arm and straight bar



3. Mounting of gas spring and buffer



4. Fitting of the peanuts



5. Complete installation

