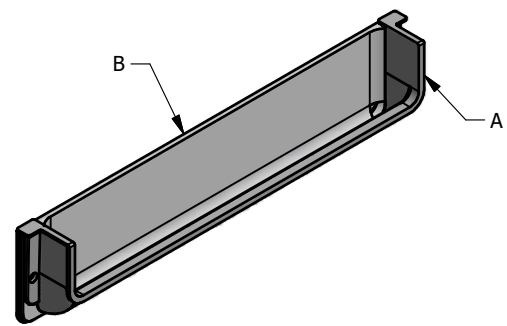


Model	L	CC	Wa	Wb	Screws
Only back plate					
0105001Z01	212	202		5	2pcs 4x15FA
0105001Z23	212	202		5	2pcs 4x15FA
0105001ZM1	212	202		5	2pcs 4x15FA
Without back plate					
0105186Z01	212	202	18.6		2pcs 4x15FA
Assembly white back plate					
0105186Z01M1	212	202	18.6		2pcs 4x15FA
0105186Z23M1	212	202	18.6		2pcs 4x15FA
Assembly back plate=front					
0105186Z01ST	212	202	18.6		2pcs 4x15FA
0105186Z23ST	212	202	18.6		2pcs 4x15FA
0105206Z23ST	212	202	20.6		2pcs 4x15FA

For inspection



Ref.	QTY	PART NUMBER	DESCRIPTION
A	1	FRONTAL	Door
B	1	TAPA	Back plate

Toleràncies en mm segons DIN ISO-2768-m

>0.5-3	>3-6	>6-30	>30-120	>120-400	>400-1000	>1000-2000	>2000-4000	Angle
±0.1	±0.1	±0.2	±0.3	±0.5	±0.8	±1.2	±2	0.5°

Toleràncies específiques producte:

CC = ± 0.3mm L = 120-599(+0.5 -0.2) 600-1200 (+0.8 -0.2)

Nº	Modificado	Fecha	Tolerancia	Escala	Dibujado	18/2/2016	Bet B.S.
01	New drawing	19/06/18	ISO 2768-m	1:1	Comprobado	18/2/2016	Bet B.S.
Material: Zamak							
Tratamiento:						Peso:	
Version: 0105_01							<p style="text-align: center; font-size: 24px; font-weight: bold;">NEST</p>
							<p style="text-align: center; font-size: 24px; font-weight: bold;">0105</p> <p style="text-align: center;">Código</p>