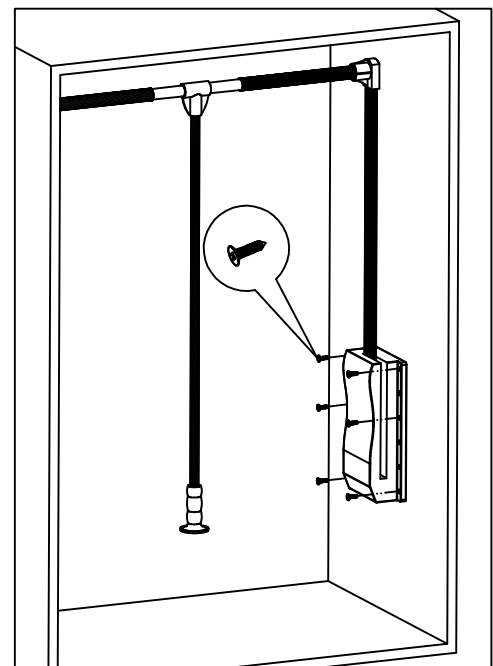
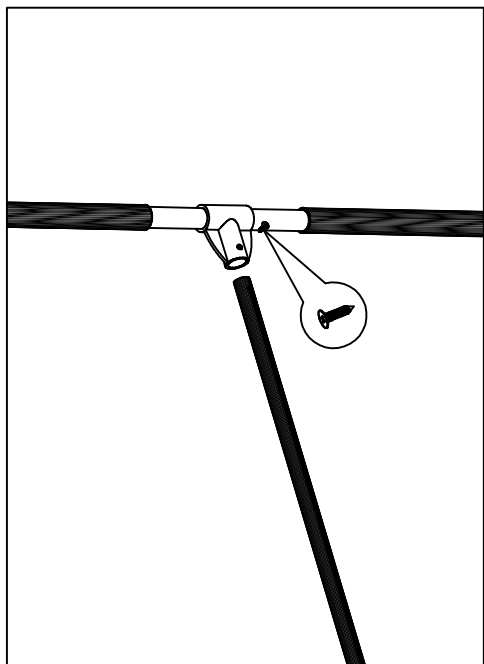


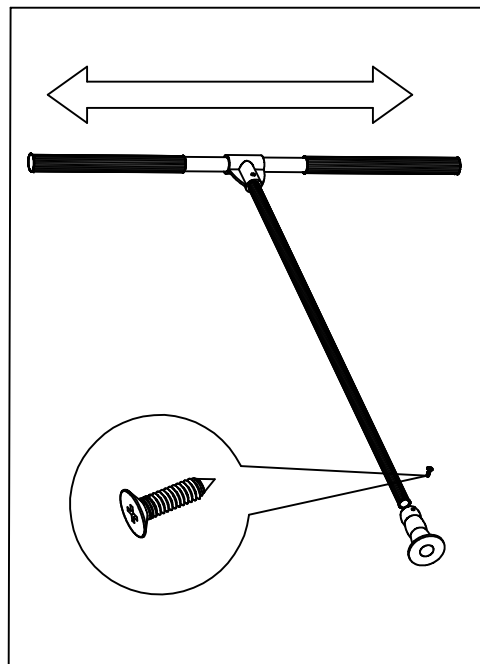
Schematic diagram of installation dimensions (the location indicated the position of screw showed in step 1)



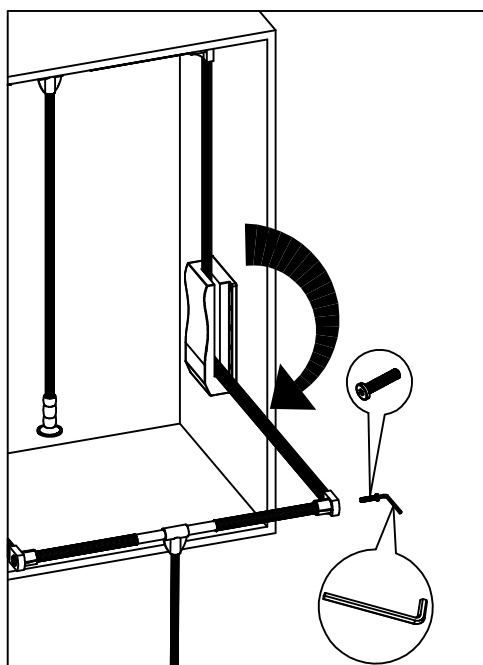
1. Use 8 pcs st4*20 sink head screw to fix the buffer system according to schematic diagram of installation



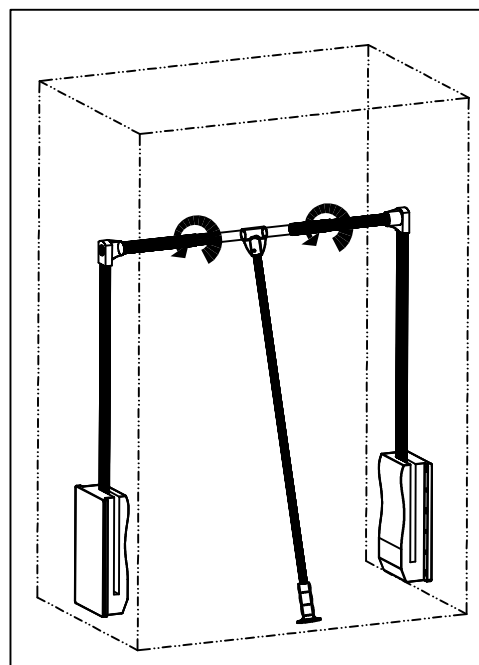
2. Use st3*10 pan head screw to fix the bar and hanger rod



3. Use st3*10 pan head screw to fix bar and handle, adjusting hanger rod to suitable width



4. Pull down the wardrobe lift and install connector and hanger rod as photo showed, and fix them by M8*35 hexagon head screw



5 Adjust the bar to the suitable position and revolve it till tighten point according to direction of photo showed. Then fasten the hexagon head screw