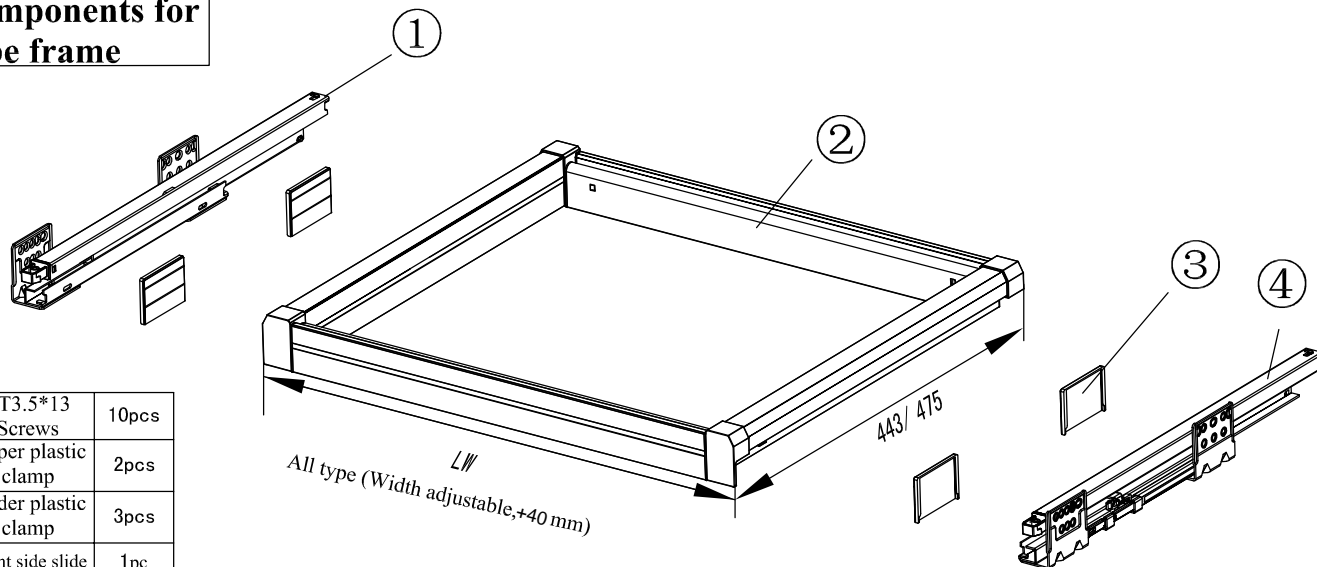


Installation Instruction of European Style Wardrobe Storage System



Basic components for wardrobe frame



7	ST3.5*13 Screws	10pcs
6	Upper plastic clamp	2pcs
5	Under plastic clamp	3pcs
4	Right side slide	1pc
3	Plastic cover	4pcs
2	Frame	1set
1	Left side slide	1pc
No.	Name	Qty.

Fitting's installation for panel(optional)

Optional inner components

<p>Multifunctional storage box</p> <p>Size 500 600 700 800 900 1000</p>	<p>Semi-open type storage box</p> <p>Size 600 700 800 900</p>	<p>PVC rattan storage basket</p> <p>Size 500 600 700 800 900 1000</p>
<p>Flat and shallow board type storage basket</p> <p>Size 500X80 600X80 700X80 800X80 900X80 1000X80 500X130 600X130 700X130 800X130 900X130 1000X130</p>	<p>Metal wire storage basket</p> <p>Size 500X120 600X120 700X120 800X120 900X120 500X200 600X200 700X200 800X200 900X200</p>	<p>Simple trousers rack</p> <p>Size 500 600 700 800 900 1000</p>
<p>Multifunctional plastic box and metal wire trousers rack</p> <p>Size 600 800 900</p>	<p>Multifunctional wooden box and aluminium bar trousers rack</p> <p>Size 700 800 900</p>	<p>Multifunctional metal basket and aluminium bar trousers rack</p> <p>Size 700X200 800X200 900X200 700X300 800X300 900X300</p>
<p>Board type shoes rack</p> <p>Size 500 600 700 800 900 1000</p>	<p>Metal wire shoes rack</p> <p>Size 600 700 800 900</p>	<p>Note: The drawing is only for reference. The final specification and component quantity depends on the delivered goods.</p>

Installation Instruction of European Style Wardrobe Storage System



Component installation

1

Installing left and right slide to the cabinet.
(Min.Depth \geq FrameDepth+5mm)

2

Inserting plastic covers to the slides

3

Adjusting width of the frame, to make sure the slides work smoothly(adjustable underneath)

All type shelf (Width adjustable, +40mm)

4

Clamp fixing position

Pushing the frame into the slides(When hear “clip” means it's correctly fixed) , and then check if it works smoothly

5

Putting inner components inside(Multifunctional storage as an sample in this instruction)

Panel installation(optional)

Cabinet size	L1	L2
500	344	200
600	444	200
650	494	250
700	544	300
800	644	400
900	744	500
1000	844	600

Diagram

<800mm Cabinet: use each 2pcs of upper and under plastic clamps to connect front panel and Aluminum frame;
 \geq 800mm Cabinet: use each 3pcs of upper and under plastic clamps to connect. Size of 'a' depends on clients
 \geq 800mm cabinet needs add 2 holes

Component disassembling

Pull out the slide and then lift up the frame

Notes:

1. Runner doesn't steadily or pulse? ---Please ensure against wood chips or other scrap fall into runner interior during installation.
- 2.Runner doesn't work smoothly? ---Please check bottom and back panel measurement is up to the mustard or not; bottom pannel and cabinet is regularity or not; and runners are vertical and horizontal or not.
- 3.Runner can not clip on? ---Please ensue the runner is on the correct hole position.
- 4.Frame can not close well? ---Please ensue the runner is on the correct hole position,and ensure the clamp well fix on.