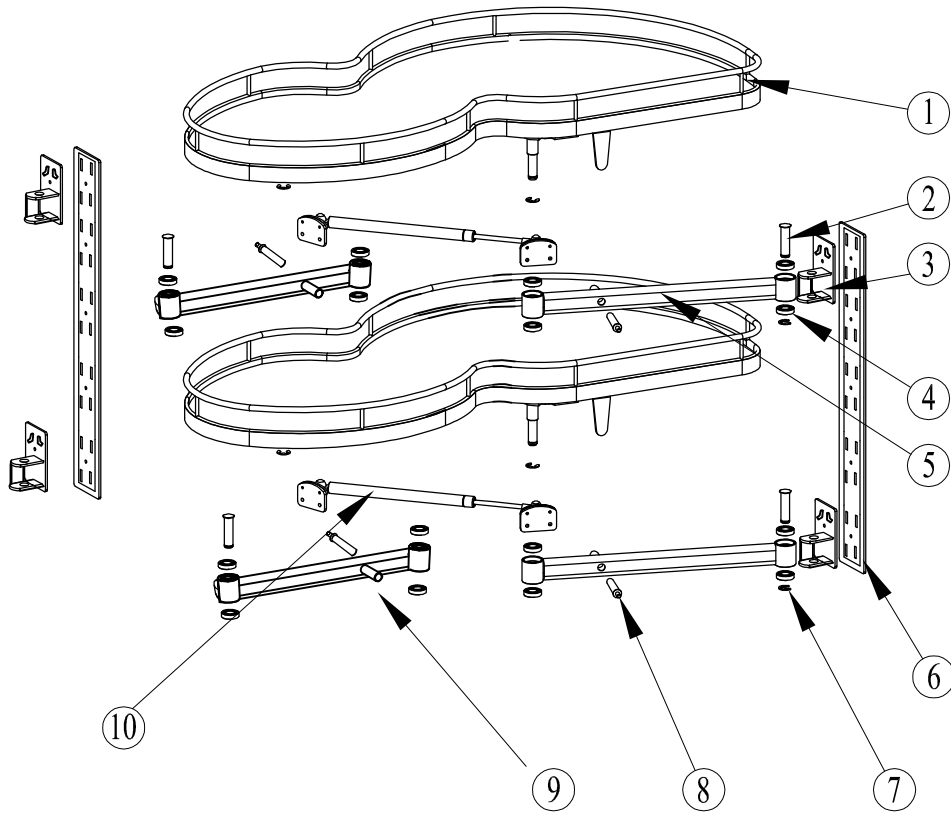


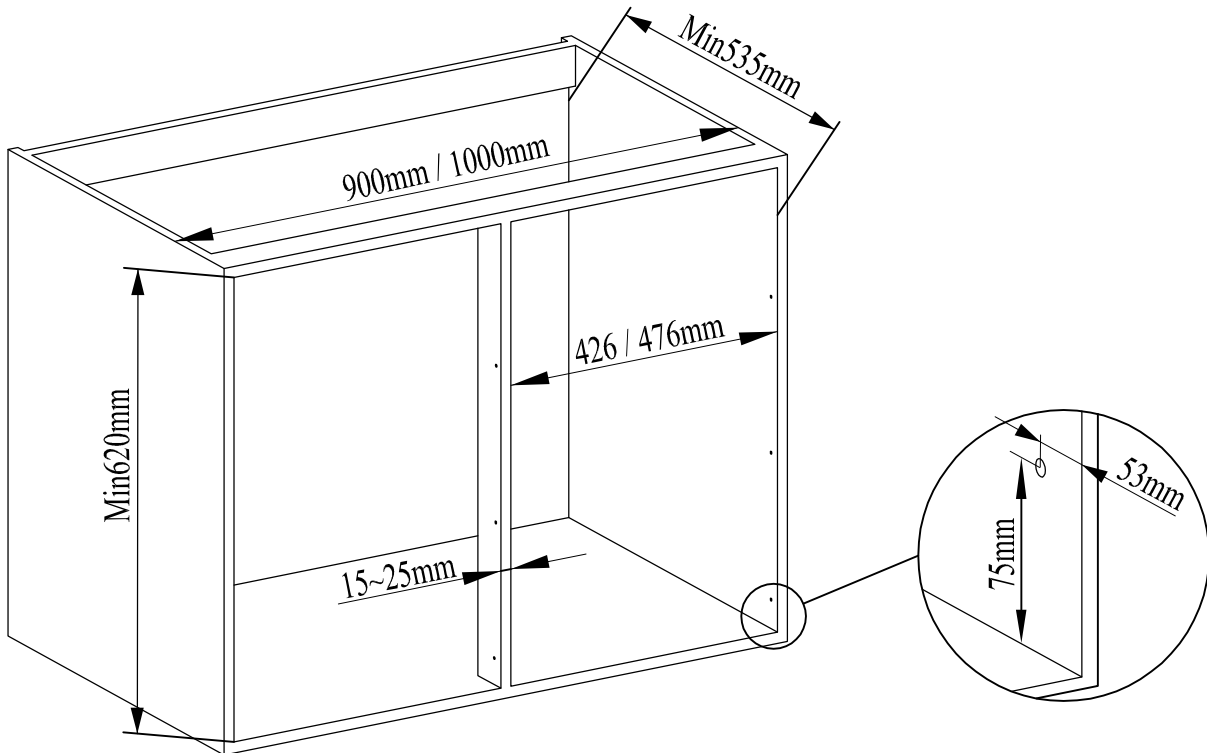
## Exploded view



Cabinet	W	D	H
900	835x470x535		
1000	935x470x535		

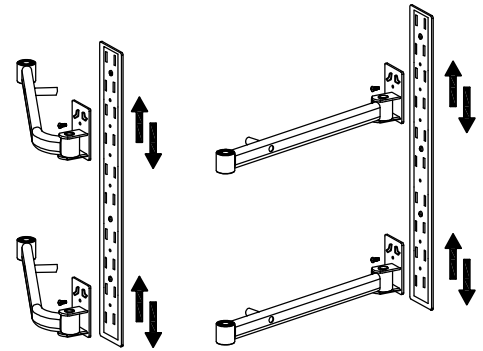
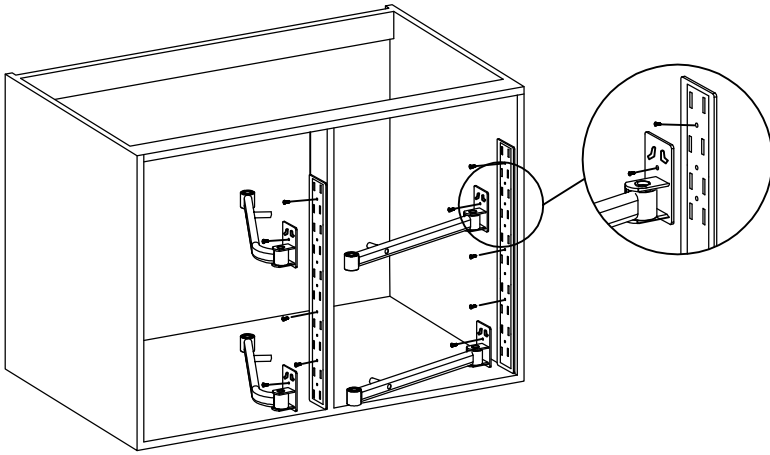
No.	Name
1	Tray
2	Axis
3	Side Bracket
4	Bearing
5	Straight Bar
6	Fixed Plate
7	E Rings
8	Buffer
9	Curve Arm
10	Gas Spring

## 1. Locate screw and bolting position

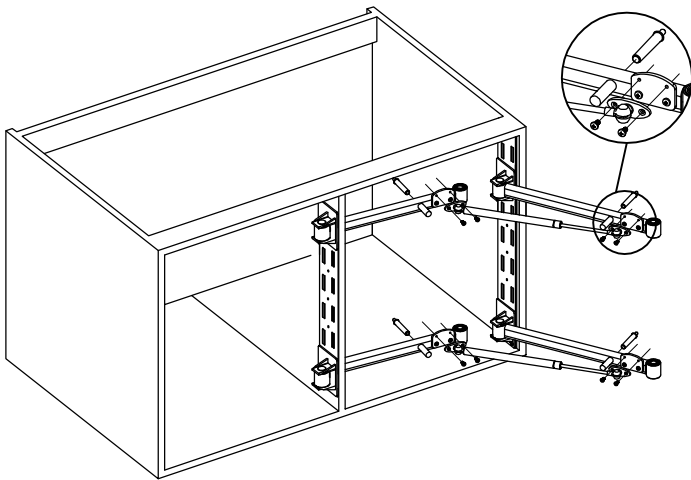


## 2. Mounting of arms and pole

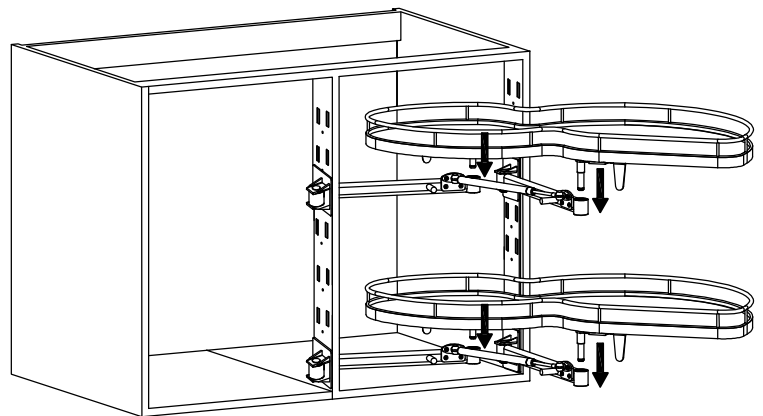
Adjust the position of the curve arm and straight bar



## 3. Mounting of gas spring and buffer



## 4. Fitting of the peanuts



## 5. Complete installation

