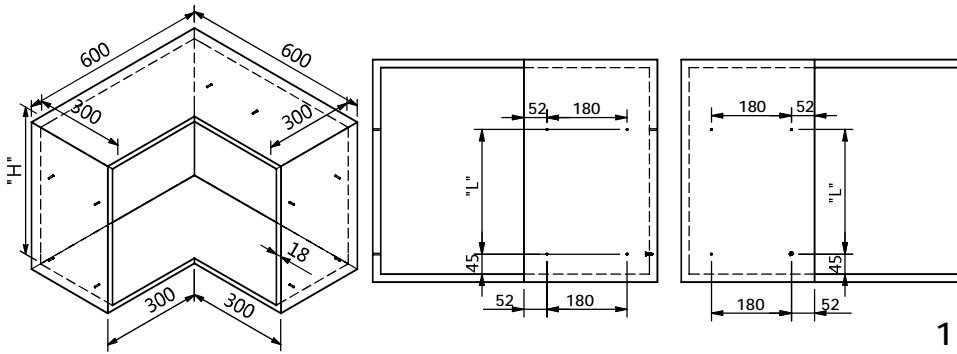


Fixing manual for CWJ313

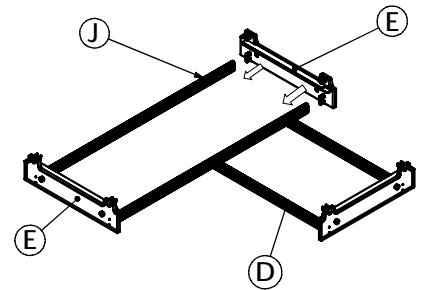
A、 QTY: 1pc	B、 QTY: 1pc	C、 QTY: 2pcs	D、 QTY: 2pcs	E、 QTY: 2sets
F、 QTY: 2pcs	G、 QTY: 2pcs	H、 QTY: 4pcs	I、 QTY: 12pcs	J、 QTY: 2pcs

Fixing steps :

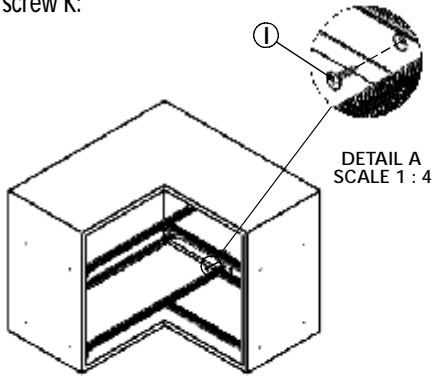
- 1、 Choose the suitable cabinet height "H" and length "L", "H" ≥ 500mm
- 2、 The doorboard open must be 270°.



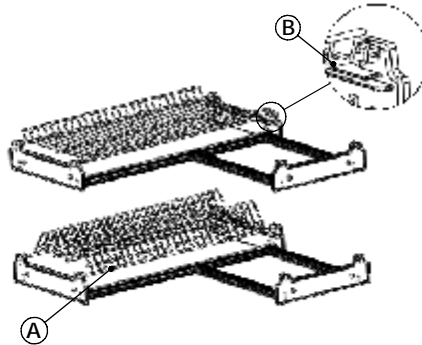
Assemble the frame as below



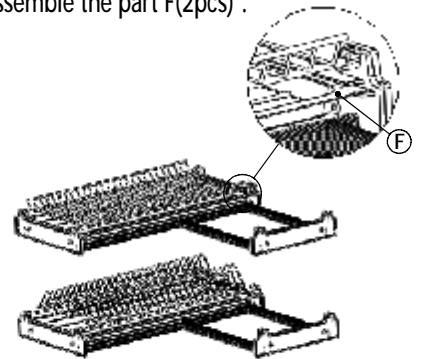
Assemble the frame inside the cabinet with screw K:



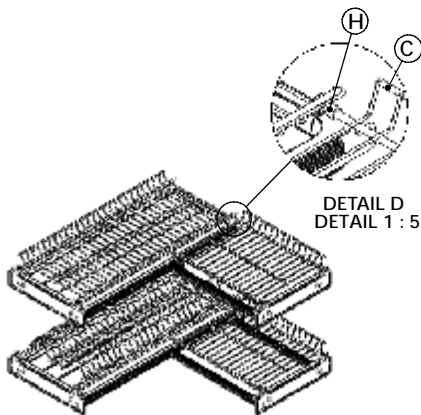
Assemble the part A(1pc)&B(1pc) :



Assemble the part F(2pcs) :



Assemble the part C(2pcs) :



Assemble the part G(2pcs) :

