




**Technical specifications:**

- Upwards operation
- Easy and rapid assembly with click-on door fixing
- No hinges required
- No stabilization bar required
- Door and weight adjustments
- SlowMotion technology for controlled and silent closing

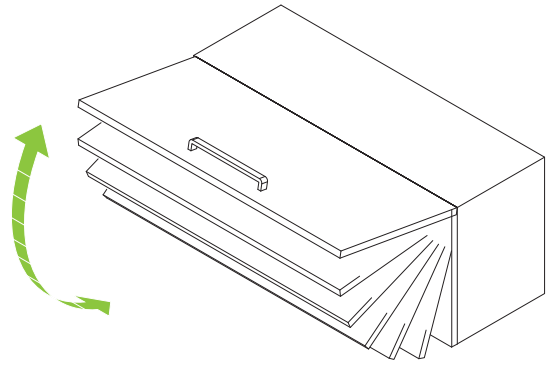
Code	Description	Kit	Door Height (mm)	Door Weight (Kg)	Packing
59.0VBS.A9.D20.0000	Kit AeroBus	D20	180	2.2 - 5.5	10 kits per box
			250	1.6 - 4.0	
			300	1.3 - 3.5	
			400	1.0 - 2.5	
59.0VBS.A9.D40.0000	Kit AeroBus	D40	180	5.3 - 12.3	10 kits per box
			250	3.8 - 8.9	
			300	3.2 - 7.4	
			400	2.4 - 5.5	

*Packed in a kit, consists of:*

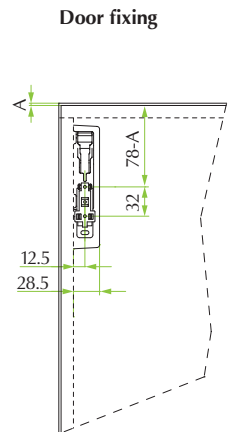
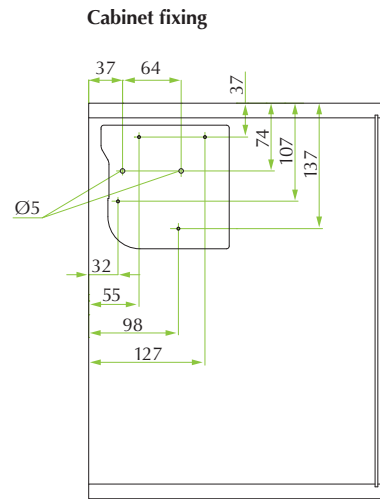
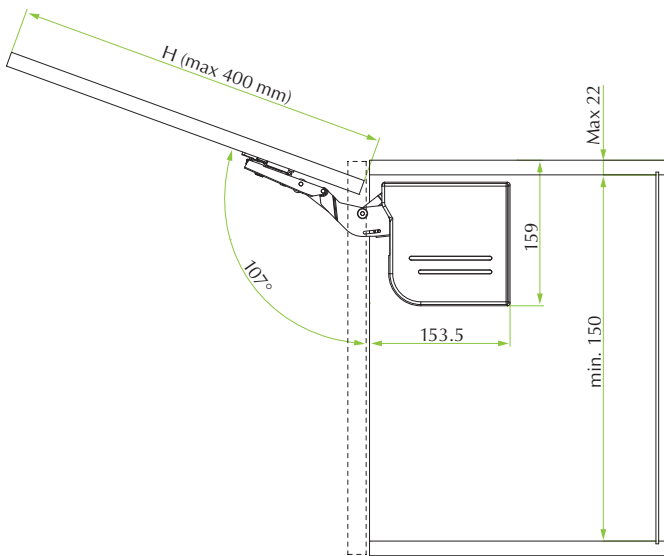
- 2 symmetrical and damped mechanisms
- 2 covers, RH and LH
- 2 click mounting plates
- 6 selftapping screws Ø4x15 mm
- 8 selftapping screws Ø4x35 mm
- Assembly instructions



**AeroBus Video**

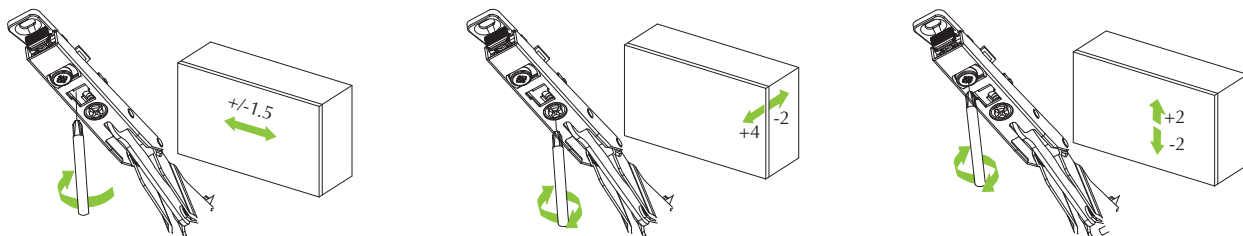


**Application:**



**Adjustments:**

**Door adjustment**



**Weight adjustment**

