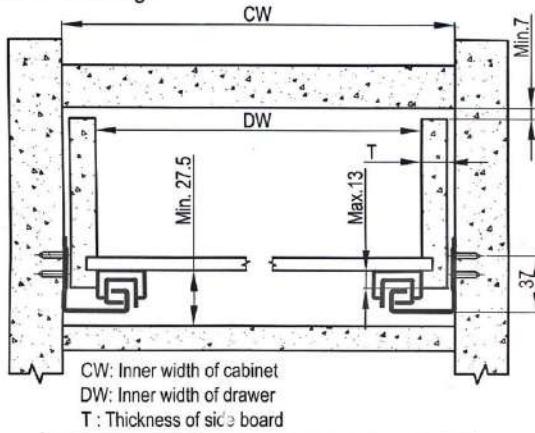


Installation Instruction of Full-extension Concealed Slide with Synchronized System

Loading Capacity : 30 KG

Side Board Thickness of drawer : ≤16, 18mm

Cabinet Drawing I

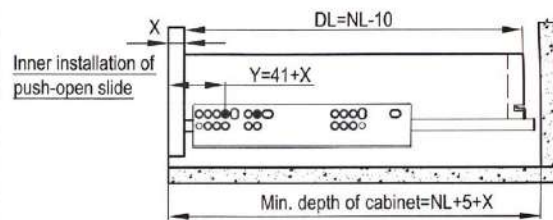
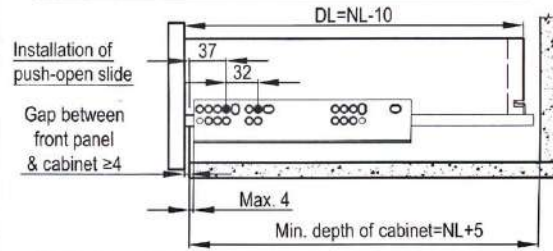
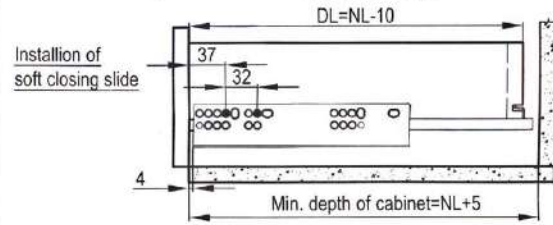


CW: Inner width of cabinet
DW: Inner width of drawer
T: Thickness of side board

T	DW	For example
≤16	=CW-42 _{1.5} ⁰	CW=564 and DW=522-523.5
18	=CW-46 _{1.5} ⁰	CW=564 and DW=518-519.5

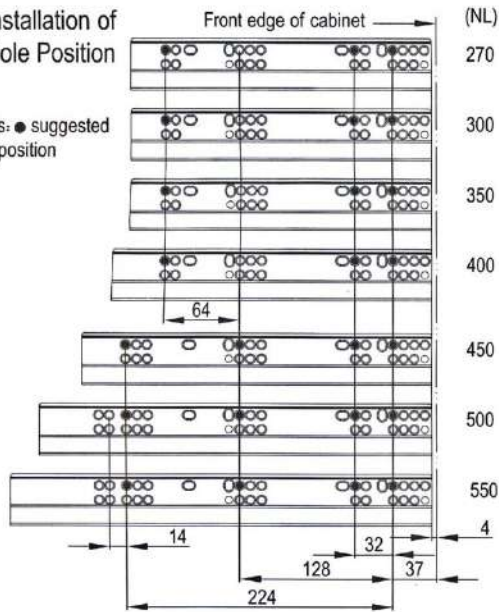
Cabinet Drawing II

DL: Drawer length
NL: Nominal length



Installation of Hole Position

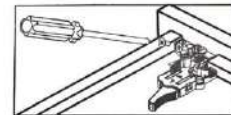
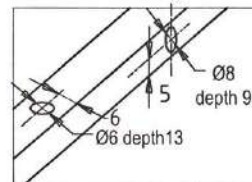
Notes: ● suggested hole position



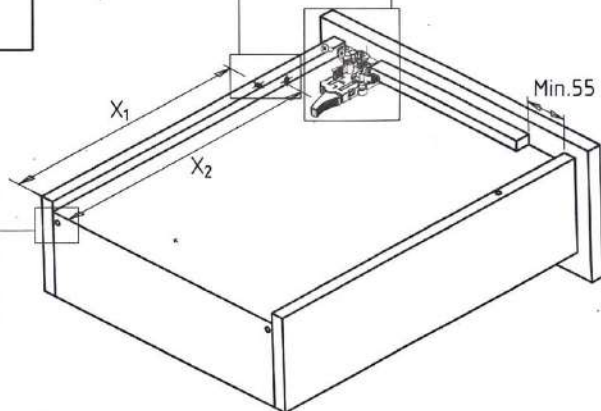
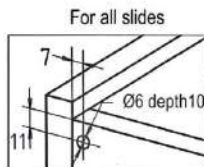
Processing Drawing of Drawer

For clip-on slide only

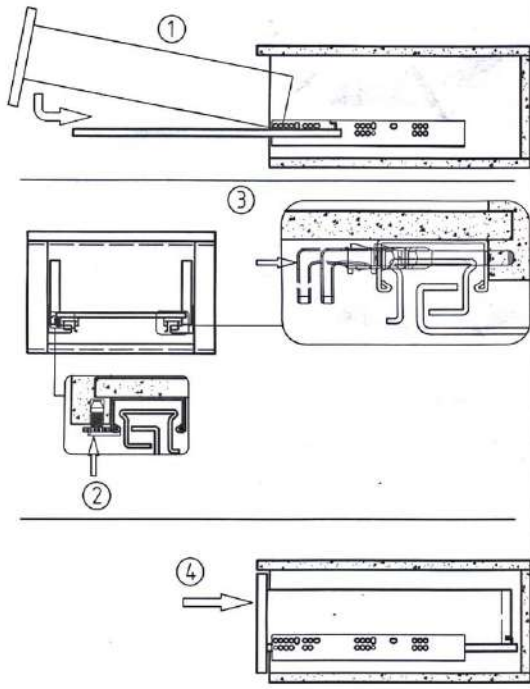
For standard slide only



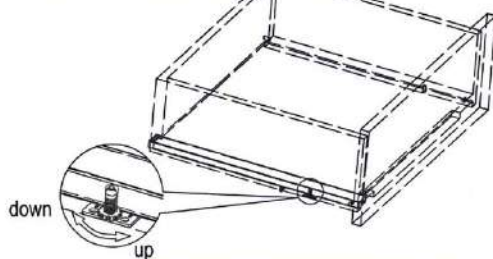
NL	X1(mm)	X2(mm)
250	205	225
270	205	248
300	230	275
350	275	320
400	300	376
450	335	421
500	360	466
550	405	511



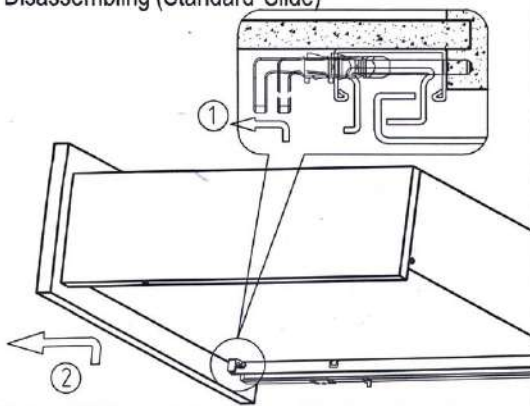
Drawer Installation (Standard Slide)



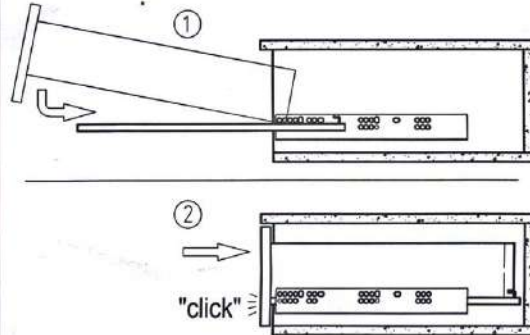
Regulation (Standard Slide)



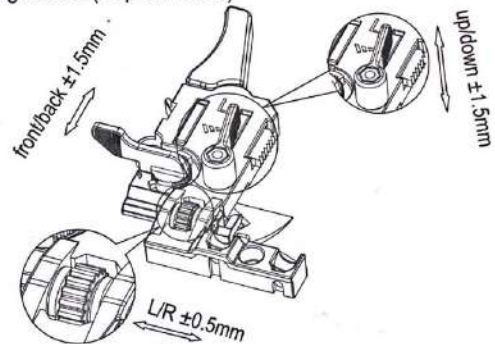
Disassembling (Standard Slide)



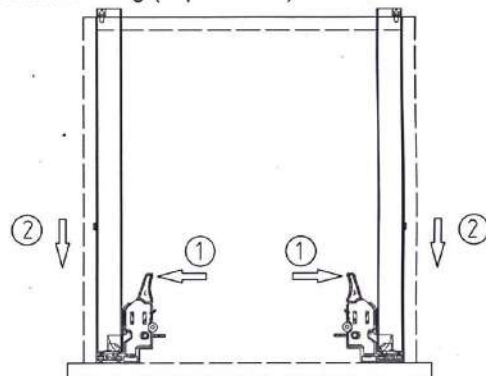
Drawer Installation (Clip-on Slide)



Regulation (Clip-on Slide)



Disassembling (Clip-on Slide)



Notes:

- a) Runner doesn't work steadily or pulse?
Keep slides away from wood chips or other scraps during installation.
- b) Runner doesn't work smoothly?
Make sure cabinet and drawer are up to the standard;
make sure cabinet and drawer are rectangular;
make sure slides at the same level;
- c) The clip-on function lost? Drawer can't close perfectly?
Make sure the slide at the right position on the fore-and-aft direction;
- e) Drawer can't be disassembled?
Make sure clip-on handle is open and locking pin is pull out.
- * f) Push open space is not enough?
Make sure the cabinet and slide are horizontal.
- * g) Drawer can't push open?
Make sure push-open gap is more than 4mm.

Notes: * for push-open concealed slide only.