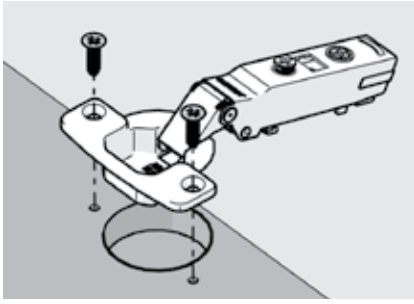
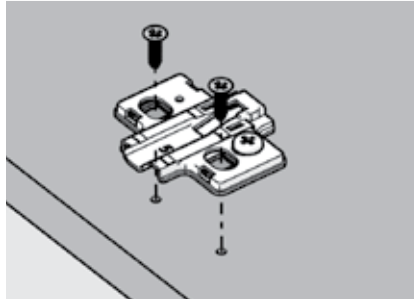
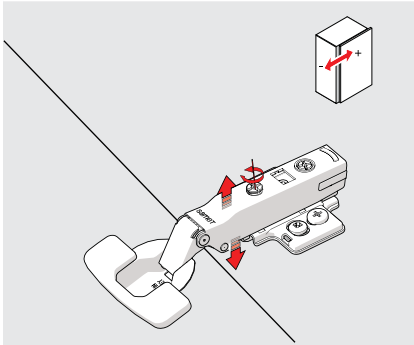


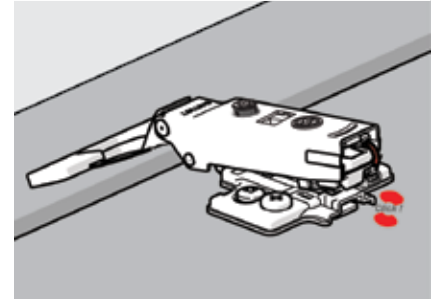
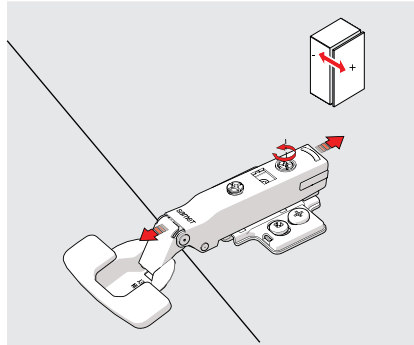
Mounting of Master



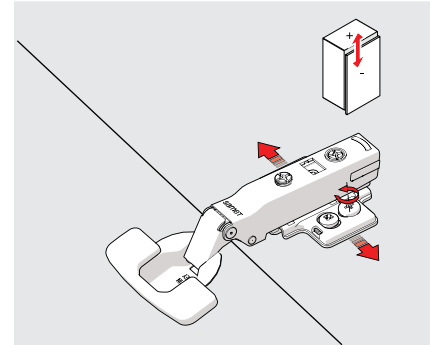
3D eccentric screw provides the ability to move right and left. (4 mm for Invo Plus and 7mm for Master Hinge). **1**



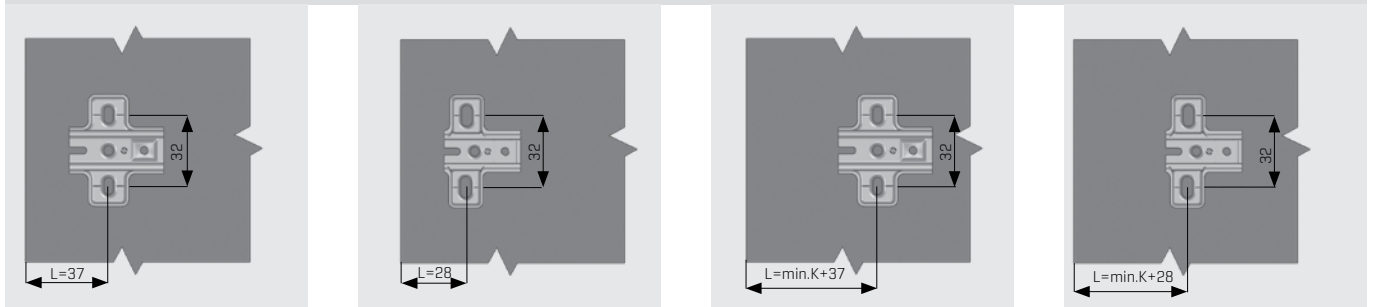
3D eccentric screw provides forward and backward movement (4 mm for Invo Plus and 5 mm for Master Hinge) **2**



3D eccentric screw provides upward and downward movement in total 4 mm. **3**



Assembly Instruction for Mounting Plate to Side Panel



* Distance is 37 mm or 28 mm from edge of overlay door's side wall to mounting plate's holes.

* For calculating the distance between inset door's side wall and mounting plate's holes on which door's thickness is added to 37 mm or 28 mm.

Required Master Soft Close Hinge quantity, according to the door dimensions

* Door width is taken as up to 600 mm.

* Number of soft close hinges can change according to the weight of the door. The number of hinges should be decided with trial installation for uncertain situation.

