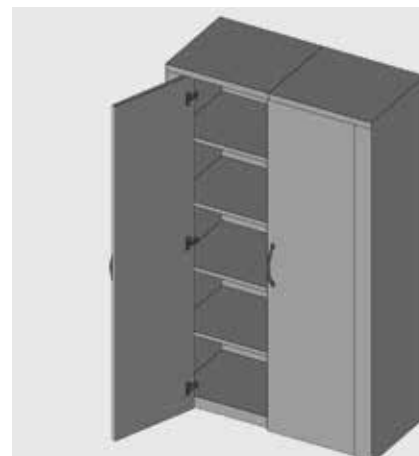


hinge systems

Samet 90° Soft Close Hinge / Samet 90° Hinge



- . Opening Angle : 110°
- . Cup Diameter : 35 mm
- . Cup Depth : 12,50 mm
- . Hinge Body : Zamac
- . Hinge Cup : Steel
- . Finish : Nickel
- . Depth Adj. : ±2 mm
- . Packaging : 125 Pieces
- . Tool free and simple assembling and disassembling of the cabinet doors. Only one touch on the Track mechanism is enough to release and fix the cabinet doors.



Samet 90° Soft Close Hinge

DEFINITION	CODE
45 Axis	10100461
45 Axis Ø8 Dowel	101004611
45 Axis Ø10 Dowel	101004612
45 Axis Euro Screw	101004613
45 Axis Easy Fit	101004617
48 Axis	10100462
48 Axis Ø8 Dowel	101004621
48 Axis Ø10 Dowel	101004622
48 Axis Euro Screw	101004623
48 Axis Easy Fit	101004627
52 Axis	10100463
52 Axis Ø8 Dowel	101004631
52 Axis Ø10 Dowel	101004632
52 Axis Euro Screw	101004633
52 Axis Easy Fit	101004637

Samet 90° Hinge

DEFINITION	CODE
45 Axis	10101461
45 Axis Ø8 Dowel	101014611
45 Axis Ø10 Dowel	101014612
45 Axis Euro Screw	101014613
45 Axis Easy Fit	101014617
48 Axis	10101462
48 Axis Ø8 Dowel	101014621
48 Axis Ø10 Dowel	101014622
48 Axis Euro Screw	101014623
48 Axis Easy Fit	101014627
52 Axis	10101463
52 Axis Ø8 Dowel	101014631
52 Axis Ø10 Dowel	101014632
52 Axis Euro Screw	101014633
52 Axis Easy Fit	101014637

Screw Options

Ø3,5x16 mm Chipboard Screw



Euro Screw



Ø8-10 mm Plastic Dowel



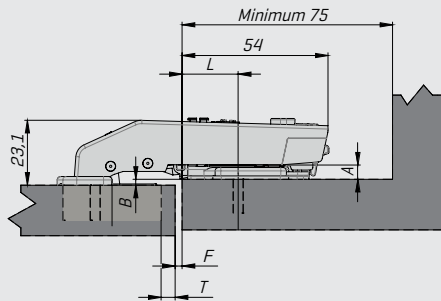
Easy Fit



Page Directions

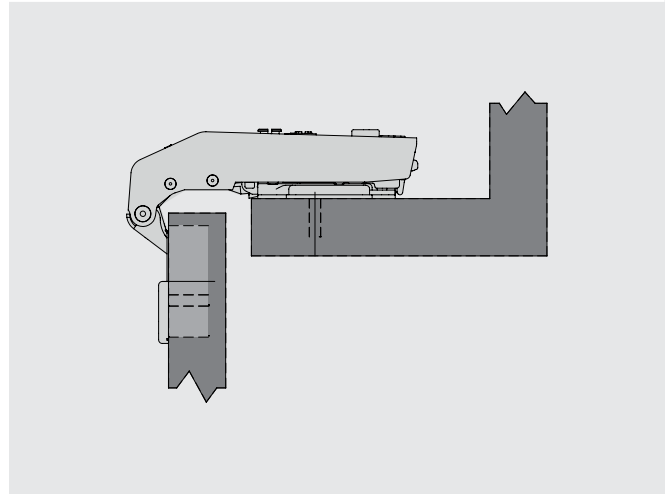
Mounting Plates	Page 156-159
Decorative Covers	Page 178
Assembly	Page 184
Dimension Charts and Symbols	Page 186

Application Alternatives

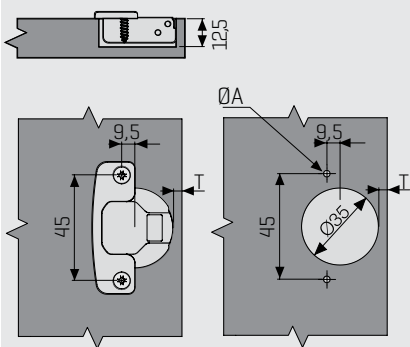


T=5	L=20	A=5	B=2	F=2
T=4	L=20	A=5	B=2	F=3

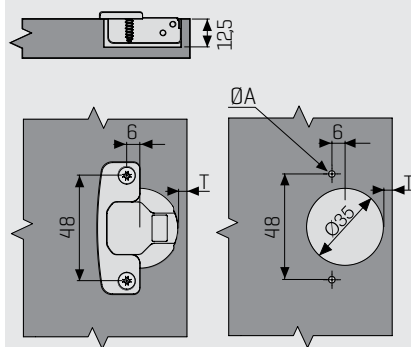
* B dimension should be minimum 0,5



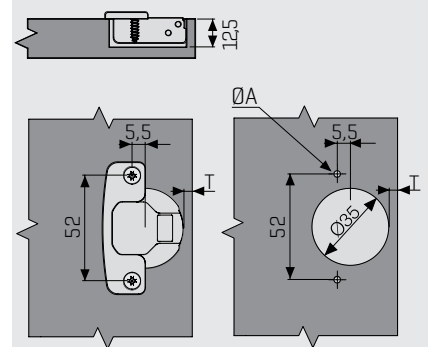
Cup Dimensions 45 mm



Cup Dimensions 48 mm



Cup Dimensions 52 mm



ØA [mm] = Chipboard Screw; Ø2,5x5 / Euro Screw Ø5x12 / [Ø8-Ø10] Dowel [Ø8-Ø10]x12 / Easy Fit; Ø10x12