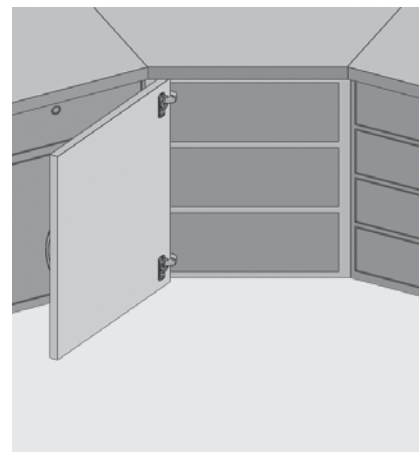


## hinge systems

### Samet 45° Soft Close Hinge / Samet 45° Hinge



- Opening Angle : 110°
- Cup Diameter : 35 mm
- Cup Depth : 12,50 mm
- Hinge Body : Zamac
- Hinge Cup : Steel
- Finish : Nickel
- Depth Adj. : ±2 mm
- Packaging : 125 Pieces
- Tool free and simple assembling and disassembling of the cabinet doors. Only one touch on the Track mechanism is enough to release and fix the cabinet doors.



#### Samet 45° Soft Close Hinge

DEFINITION	CODE
45 Axis	10100441
45 Axis Ø8 Dowel	101004411
45 Axis Ø10 Dowel	101004412
45 Axis Euro Screw	101004413
45 Axis Easy Fit	101004417
48 Axis	10100442
48 Axis Ø8 Dowel	101004421
48 Axis Ø10 Dowel	101004422
48 Axis Euro Screw	101004423
48 Axis Easy Fit	101004427
52 Axis	10100443
52 Axis Ø8 Dowel	101004431
52 Axis Ø10 Dowel	101004432
52 Axis Euro Screw	101004433
52 Axis Easy Fit	101004437

#### Samet 45° Hinge

DEFINITION	CODE
45 Axis	10101441
45 Axis Ø8 Dowel	101014411
45 Axis Ø10 Dowel	101014412
45 Axis Euro Screw	101014413
45 Axis Easy Fit	101014417
48 Axis	10101442
48 Axis Ø8 Dowel	101014421
48 Axis Ø10 Dowel	101014422
48 Axis Euro Screw	101014423
48 Axis Easy Fit	101014427
52 Axis	10101443
52 Axis Ø8 Dowel	101014431
52 Axis Ø10 Dowel	101014432
52 Axis Euro Screw	101014433
52 Axis Easy Fit	101014437

#### Screw Options

Ø3,5x16 mm Chipboard Screw



Euro Screw



Ø8-10 mm Plastic Dowel



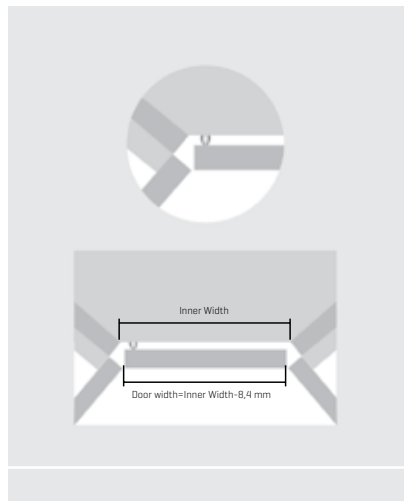
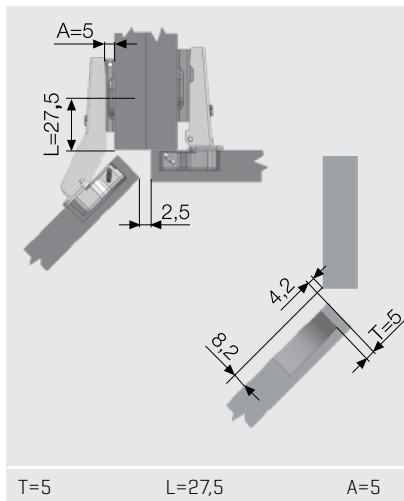
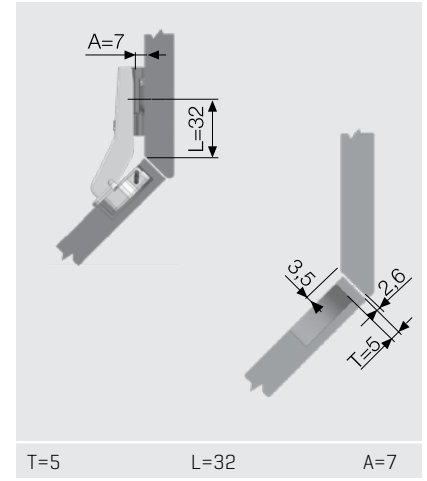
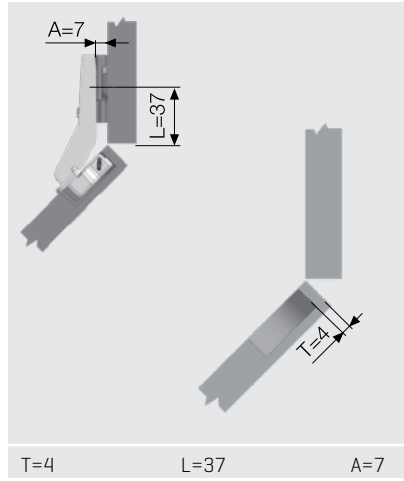
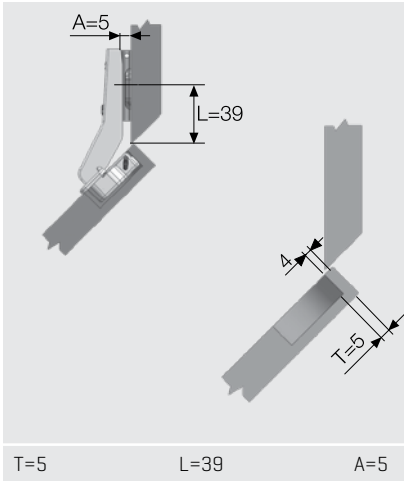
Easy Fit



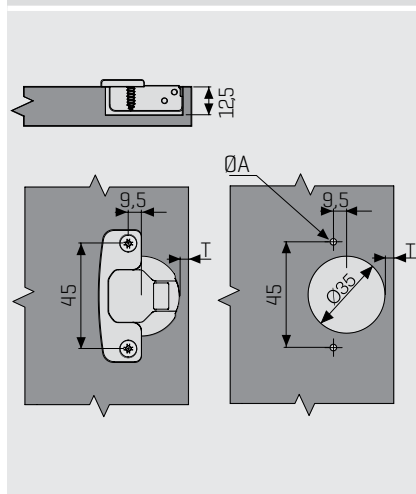
#### Page Directions

Mounting Plates	Page 156-159
Decorative Covers	Page 178
Assembly	Page 184
Dimension Charts and Symbols	Page 186

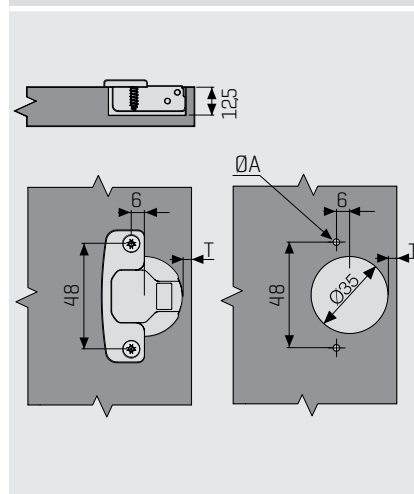
Application Alternatives



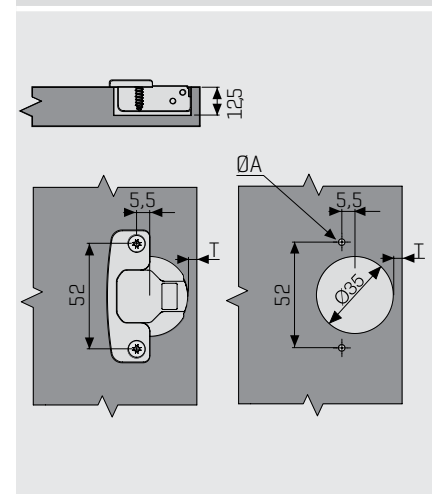
Cup Dimensions 45 mm



Cup Dimensions 48 mm



Cup Dimensions 52 mm



ØA [mm] = Chipboard Screw; Ø2,5x5 / Euro Screw Ø5x12 / (Ø8-Ø10) Dowel (Ø8-Ø10)x12 / Easy Fit; Ø10x12